

Electrical Characterization of Photovoltaic Materials and Solar Cells with the Model 4200-SCS Semiconductor Characterization System

I-V, C-V, C-f, DLCP, Pulsed I-V, Resistivity, and Hall Voltage Measurements

Introduction

The increasing demand for clean energy and the largely untapped potential of the sun as an energy source is making solar energy conversion technology increasingly important. As a result, the demand for solar cells, which convert sunlight directly into electricity, is growing. Solar or photovoltaic (PV) cells are made up of semiconductor materials that absorb photons from sunlight and then release electrons, causing an electric current to flow when the cell is connected to a load. A variety of measurements are used to characterize a solar cell's performance, including its output and its efficiency. This electrical characterization is performed as part of research and development of photovoltaic cells and materials, as well as during the manufacturing process.

Some of the electrical tests commonly performed on solar cells involve measuring current and capacitance as a function of an applied DC voltage. Capacitance measurements are sometimes made as a function of frequency or AC voltage. Some tests require pulsed current-voltage measurements. These measurements are usually performed at different light intensities and under different temperature conditions. A variety of important device parameters can be extracted from the DC and pulsed current-voltage (I-V) and capacitance-voltage (C-V) measurements, including output current, conversion efficiency, maximum power output, doping density, resistivity, etc. Electrical characterization is important in determining how to make the cells as efficient as possible with minimal losses.

Instrumentation such as the Model 4200-SCS Semiconductor Characterization System can simplify testing and analysis when making these critical electrical measurements. The Model 4200-SCS is an integrated system that includes instruments for making DC and ultra fast I-V and C-V measurements, as well as control software, graphics, and mathematical analysis capability. The Model 4200-SCS is well-suited for performing a wide range of measurements, including DC and pulsed current-voltage (I-V), capacitance-voltage (C-V), capacitance-frequency (C-f), drive level capacitance profiling (DLCP), four-probe resistivity (ρ , σ), and Hall voltage (V_H) measurements. This application note describes how to use the Model 4200-SCS to make these electrical measurements on PV cells.

Making Electrical Measurements with the Model 4200-SCS

To simplify testing photovoltaic materials and cells, the Model 4200-SCS is supported with a test project for making many of the mostly commonly used measurements easily. These tests, which include I-V, capacitance, and resistivity measurements, also include formulas for extracting common parameters such as the maximum power, short circuit current, defect density, etc. The *SolarCell* project (**Figure 1**) is included with all Model 4200-SCS systems running KTEI Version 8.0 or later. It provides thirteen tests (**Table 1**) in the form of ITMs (Interactive Test Modules) and UTMs (User Test Modules) for electrical characterization.

Table 1. Test modules in the SolarCell project

Subsite Level	Test Module	Description
IV_sweep	fwd-ivsweep	Performs I-V sweep and calculates I_{sc} , V_{oc} , P_{max} , I_{max} , V_{max} , FF
	rev-ivsweep	Performs reversed bias I-V sweep
CV_sweep	cvsweep	Generates C-V sweep
	C-2vsV	Generates C-V sweep and calculates $1/C^2$
	cfsweep	Sweeps the frequency and measures capacitance
	DLCP	Measures capacitance as AC voltage is swept. DC voltage is applied so as to keep the total applied voltage constant. The defect density is calculated.
Pulse-IV	pulse-iv-sweep	Performs pulse I-V sweep using one channel of PMU
4PtProbe_resistivity	HiR	Uses 3 or 4 SMUs to source current and measure voltage difference for high resistance semiconductor materials. Calculates sheet resistivity.
	LoR	Uses 1 or 2 SMUs to source current and measure voltage using remote sense. Calculates sheet resistivity. Uses current reversal method to compensate for thermoelectric voltage offsets.
vdp_resistivity	I1_V23	First of 4 ITMs that are used to measure the van der Pauw resistivity. This ITM sources current between terminals 1 and 4 and measures the voltage difference between terminals 2 and 3.
	I2_V34	Sources current between terminals 2 and 1 and measures the voltage difference between terminals 3 and 4.
	I3_V41	Sources current between terminals 3 and 2 and measures the voltage difference between terminals 4 and 1.
	I4_V12	Sources current between terminals 4 and 1 and measures the voltage difference between terminals 1 and 2.

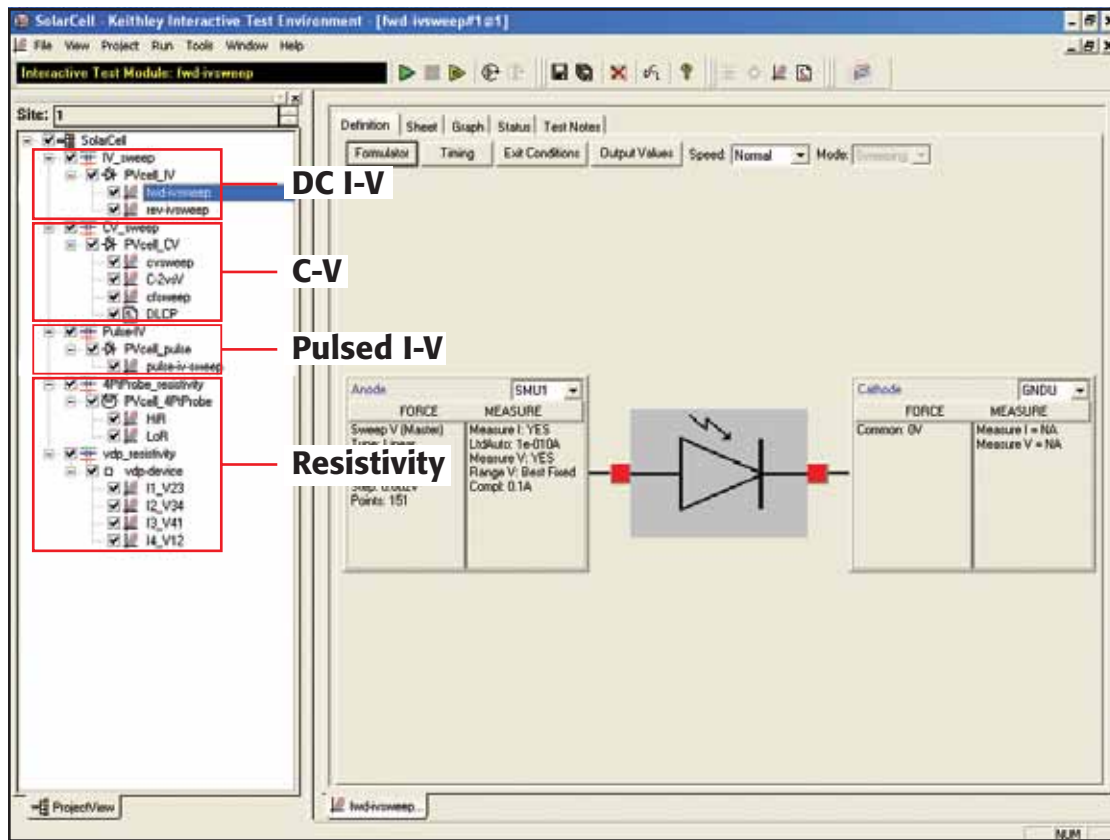


Figure 1. Screenshot of SolarCell project for the Model 4200-SCS

DC Current-Voltage (I-V) Measurements

As described previously, many solar cell parameters can be derived from current-voltage (I-V) measurements of the cell. These I-V characteristics can be measured using the Model 4200-SCS's Source-Measure Units (SMUs), which can source and measure both current and voltage. Because these SMUs have four-quadrant source capability, they can sink the cell current as a function of the applied voltage. Two types of SMUs are available for the Model 4200-SCS: the Model 4200-SMU, which can source/sink up to 100mA, and the Model 4210-SMU, which can source/sink up to 1A. If the output current of the cell exceeds these current levels, it may be necessary to reduce it, possibly by reducing the area of the cell itself. However, if this is not possible, Keithley's Series 2400 or 2600A SourceMeter® instruments, which are capable of sourcing/sinking higher currents, offer possible alternative solutions.

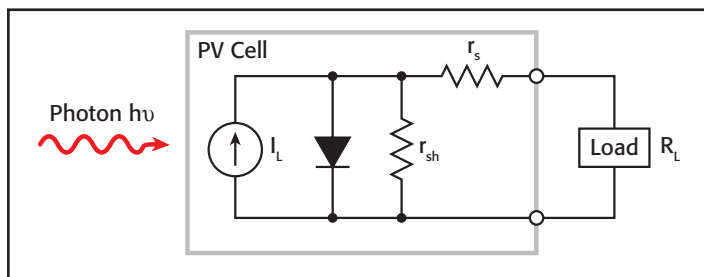


Figure 2. Idealized equivalent circuit of a photovoltaic cell

Parameters Derived from I-V Measurements

A solar cell may be represented by the equivalent circuit model shown in **Figure 2**, which consists of a light-induced current source (I_L), a diode that generates a saturation current [$I_S(e^{qV/kT} - 1)$], series resistance (r_s), and shunt resistance (r_{sh}). The series resistance is due to the resistance of the metal contacts, ohmic losses in the front surface of the cell, impurity concentrations, and junction depth. The series resistance is an important parameter because it reduces both the cell's short-circuit current and its maximum power output. Ideally, the series resistance should be 0Ω ($r_s = 0$). The shunt resistance represents the loss due to surface leakage along the edge of the cell or to crystal defects. Ideally, the shunt resistance should be infinite ($r_{sh} = \infty$).

If a load resistor (R_L) is connected to an illuminated solar cell, then the total current becomes:

$$I = I_S(e^{qV/kT} - 1) - I_L$$

where:

I_S = current due to diode saturation

I_L = current due to optical generation

Several parameters are used to characterize the efficiency of the solar cell, including the maximum power point (P_{max}), the energy conversion efficiency (η), and the fill factor (FF). These points are illustrated in **Figure 3**, which shows a typical forward bias I-V curve of an illuminated PV cell. The maximum power point (P_{max}) is the product of the maximum cell current (I_{max})

and the voltage (V_{max}) where the power output of the cell is greatest. This point is located at the “knee” of the curve.

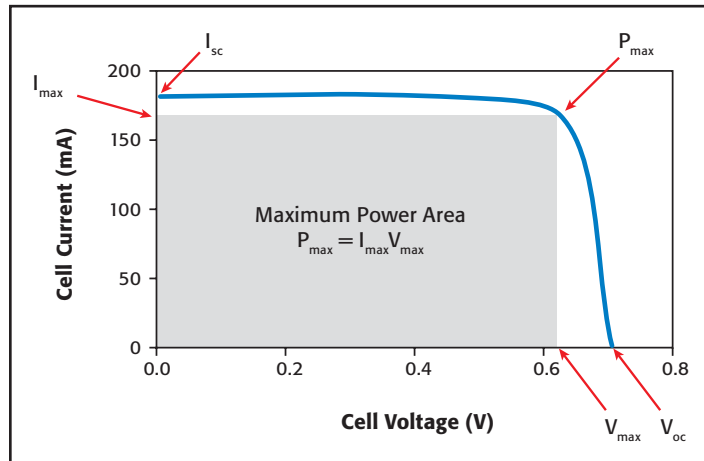


Figure 3. Typical forward bias I-V characteristics of a PV cell

The fill factor (FF) is a measure of how far the I-V characteristics of an actual PV cell differ from those of an ideal cell. The fill factor is defined as:

$$FF = \frac{I_{max}V_{max}}{I_{sc}V_{oc}}$$

where:

I_{max} = the current at the maximum power output (A)

V_{max} = the voltage at the maximum power output (V)

I_{sc} = the short-circuit current (A)

V_{oc} = the open-circuit voltage (V)

As defined, the fill factor is the ratio of the maximum power ($P_{max} = I_{max}V_{max}$) to the product of the short circuit current (I_{sc}) and the open circuit voltage (V_{oc}). The ideal solar cell has a fill factor equal to one (1) but losses from series and shunt resistance decrease the efficiency.

Another important parameter is the conversion efficiency (η), which is defined as the ratio of the maximum power output to the power input to the cell:

$$\eta = \frac{P_{max}}{P_{in}}$$

where:

P_{max} = the maximum power output (W)

P_{in} = the power input to the cell defined as the total radiant energy incident on the surface of the cell (W)

Making Connections to the Solar Cell for I-V Measurements

Figure 4 illustrates a solar cell connected to the Model 4200-SCS for I-V measurements. One side of the solar cell is connected to the Force and Sense terminals of SMU1; the other side is connected to the Force and Sense terminals of either SMU2 or the ground unit (GNDU) as shown.

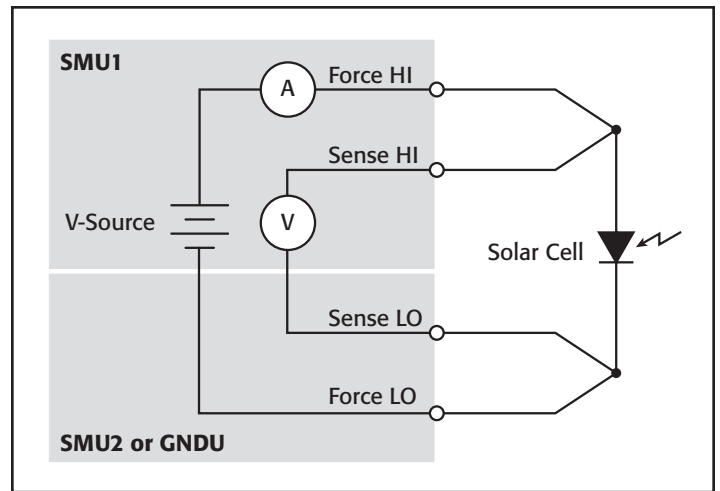


Figure 4. Connection of Model 4200-SCS to a solar cell for I-V measurements

Using a four-wire connection eliminates the lead resistance that would otherwise affect this measurement's accuracy. With the four-wire method, a voltage is sourced across the solar cell using one pair of test leads (between Force HI and Force LO), and the voltage drop across the cell is measured across a second set of leads (across Sense HI and Sense LO). The sense leads ensure that the voltage developed across the cell is the programmed output value and compensate for the lead resistance.

Forward-Biased I-V Measurements

Forward-biased I-V measurements of the solar cell are made under controlled illumination. The SMU is set up to output a voltage sweep and measure the resulting current. This forward bias sweep can be performed using the “*fvd-ivsweep*” ITM, which allows adjusting the sweep voltage to the desired values. As previously illustrated in Figure 3, the voltage source is swept from $V_1 = 0$ to $V_2 = V_{OC}$. When the voltage source is 0 ($V_1 = 0$), the current is equal to the source-circuit current ($I_1 = I_{SC}$). When the voltage source is an open circuit ($V_2 = V_{OC}$), then the current is equal to zero ($I_2 = 0$). The parameters, V_{OC} and I_{SC} , can easily be derived from the sweep data using the Model 4200-SCS's built-in mathematical analysis tool, the Formulator. For convenience, the *SolarCell* project has the commonly derived parameters already calculated, so the values automatically appear in the Sheet tab every time the test is executed. Figure 5 shows some of the derived parameters in the Sheet tab. These parameters include the short-circuit current (I_{SC}), the open circuit voltage (V_{OC}), the maximum power point (P_{max}), the maximum cell current (I_{max}), the maximum cell voltage (V_{max}), and the fill factor (FF).

The user can easily add other formulas depending on the required parameters that need to be determined.

Using the Formulator, the conversion efficiency (η) can also be calculated if the user knows the power input to the cell and inputs the formula. The current density (J) can also be derived by using the Formulator and inputting the area of the cell.

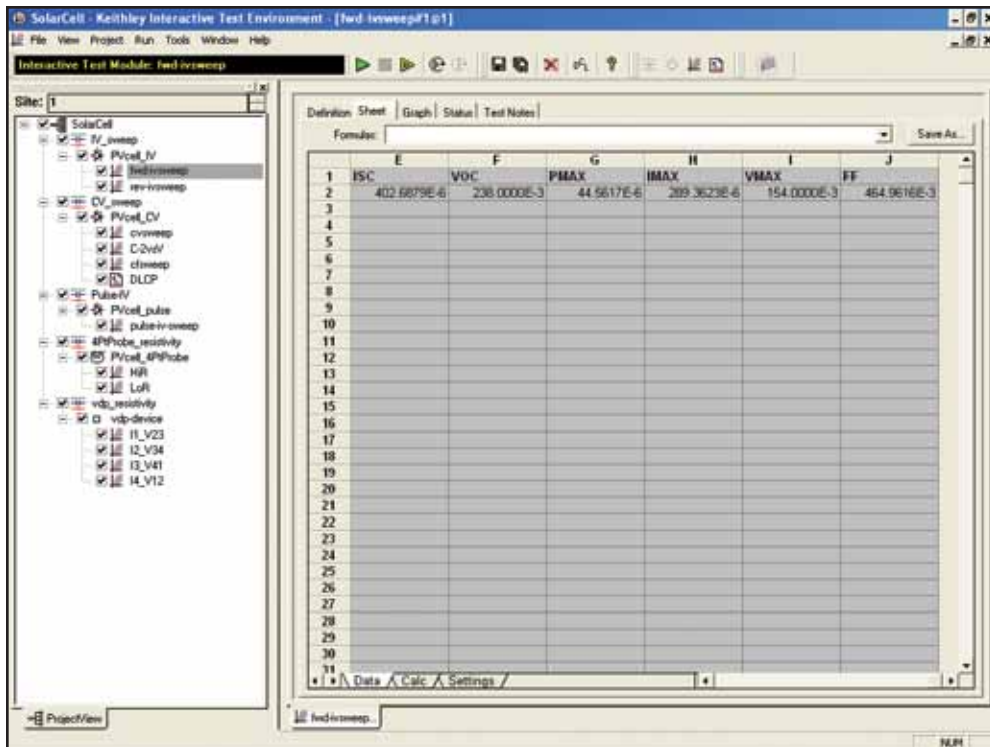


Figure 5. Results of calculated parameters shown in Sheet tab

Figure 6 shows an actual I-V sweep of an illuminated silicon PV cell generated with the Model 4200-SCS using the “fwd-ivsweep” ITM. Because the system’s SMUs can sink current, the curve passes through the fourth quadrant and allows power to be extracted from the device (I-, V+). If the current output spans several decades as a function of the applied voltage, it may be desirable to generate a semilog plot of I vs. V. The Graph tab options support an easy transition between displaying data graphically on either a linear or a log scale.

go to the Graph Settings tab, select Axis Properties, select the Y1 Axis tab, and click on the Invert checkbox. The inverse of the graph will appear as shown in Figure 7.

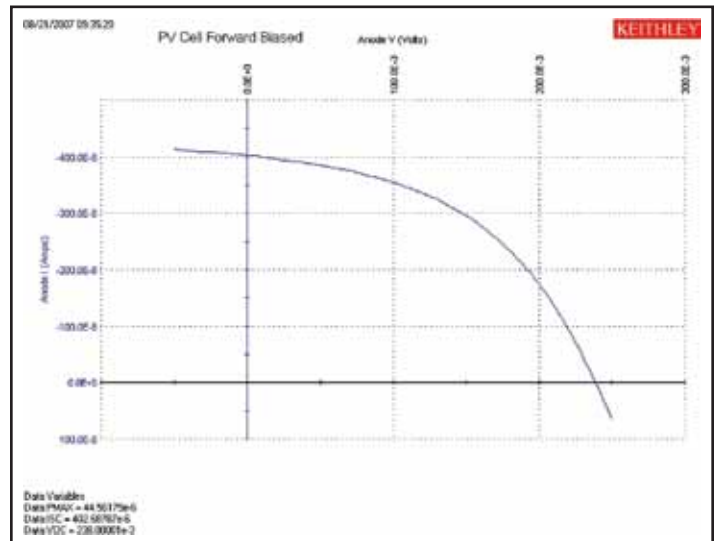
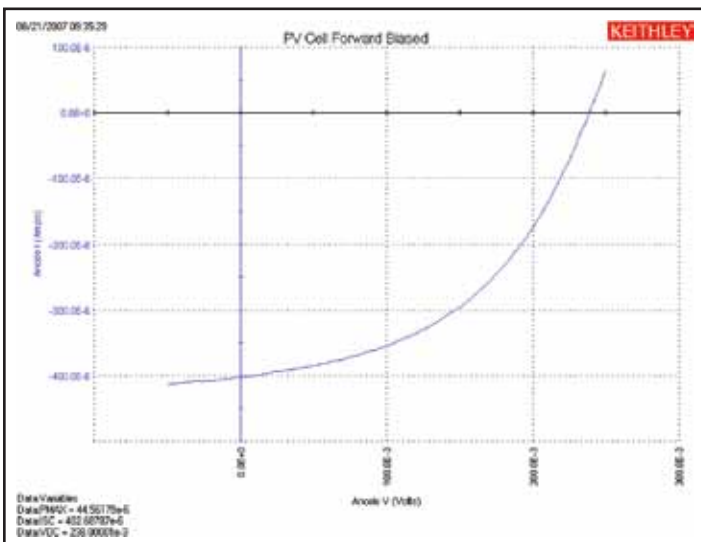


Figure 7. Inversion of the forward-biased I-V curve about the voltage axis

Figure 6. I-V sweep of silicon PV cell generated with the 4200-SMU

The series resistance (r_s) can be determined from the forward I-V sweep at two or more light intensities. First, make I-V curves at two different intensities (the magnitudes of the intensities are not important). Measure the slope of this curve from the far forward characteristics where the curve becomes linear. The inverse of this slope yields the series resistance:

If desired, the graph settings functions make it easy to create an inverted version of the graph about the voltage axis. Simply

$$r_s = \frac{\Delta V}{\Delta I}$$

By using additional light intensities, this technique can be extended using multiple points located near the knee of the curves. As illustrated in **Figure 8**, a line is generated from which the series resistance can be calculated from the slope.

When considered as ammeters, one important feature of the Model 4200-SCS's SMUs is their very low voltage burden. The voltage burden is the voltage drop across the ammeter during the measurement. Most conventional digital multimeters (DMMs) will have a voltage burden of at least 200mV at full scale. Given that only millivolts may be sourced to the sample in solar cell testing, this can cause large errors. The Model 4200-SCS's SMUs don't produce more than a few hundred microvolts of voltage burden, or voltage drop, in the measurement circuit.

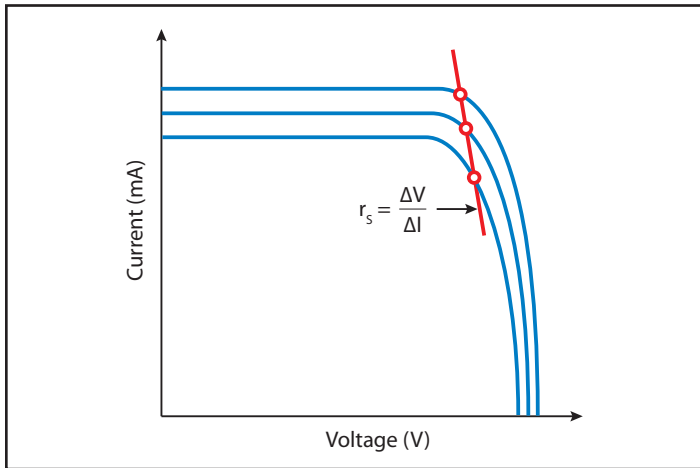


Figure 8. Slope method used to calculate the series resistance

Reverse-Biased I-V Measurements

The leakage current and shunt resistance (r_{sh}) can be derived from the reverse-biased I-V data. Typically, the test is performed in the dark. The voltage is sourced from 0V to a voltage level where the device begins to break down. The resulting current is measured and plotted as a function of the voltage. Depending on the size of the cell, the leakage current can be as small as picoamps. The Model 4200-SCS has a preamp option that allows making accurate measurements well below a picoamp. When making very sensitive low current measurements (nanoamps or less), use low noise cables and place the device in a shielded enclosure to shield it electrostatically. This conductive shield is connected to the Force LO terminal of the Model 4200-SCS. The Force LO terminal connection can be made from the outside shell of the triax connectors, the black binding post on the ground unit (GNDU), or from the Force LO triax connector on the GNDU.

One method for determining the shunt resistance of the PV cell is from the slope of the reverse-biased I-V curve, as shown in **Figure 9**. From the linear region of this curve, the shunt resistance can be calculated as:

$$r_{sh} = \frac{\Delta V_{Reverse\ Bias}}{\Delta I_{Reverse\ Bias}}$$

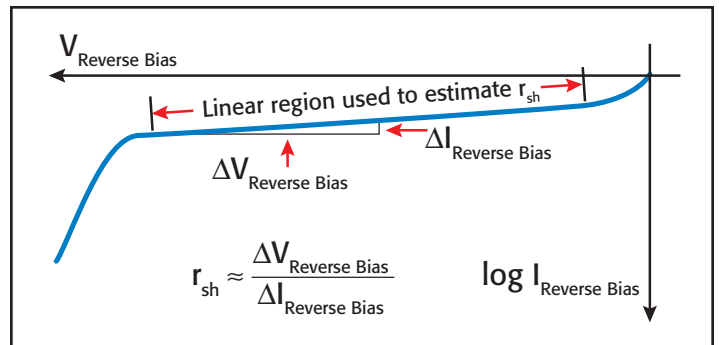


Figure 9. Typical reverse-biased characteristics of a PV cell

Figure 10 shows an actual curve of a reverse-biased solar cell, generated using the ITM "rev-iv-sweep". In this semi-log graph, the absolute value of the current is plotted as a function of the reverse-biased voltage that is on an inverted x-axis.

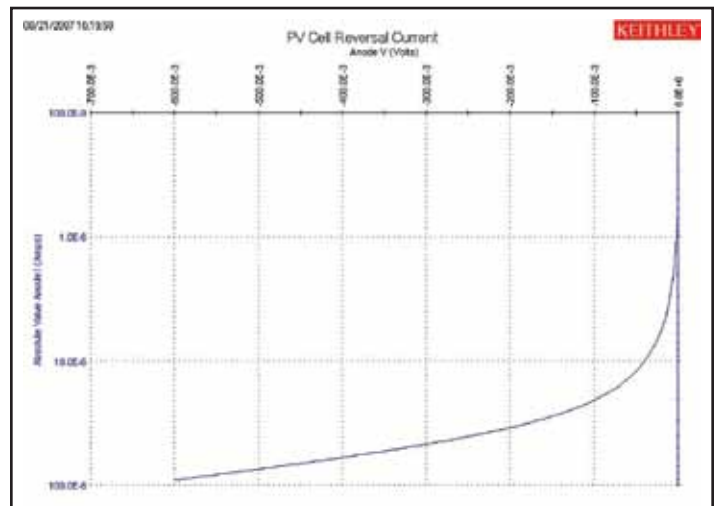


Figure 10. Reverse-biased I-V measurement of silicon solar cell using the Model 4200-SMU

Capacitance Measurements

Capacitance-voltage measurements are useful in deriving particular parameters about PV devices. Depending on the type of solar cell, capacitance-voltage (C-V) measurements can be used to derive parameters such as the doping concentration and the built-in voltage of the junction. A capacitance-frequency (C-f) sweep can be used to provide information on the existence of traps in the depletion region. The Model 4210-CVU, the Model 4200-SCS's optional capacitance meter, can measure the capacitance as a function of an applied DC voltage (C-V), a function of frequency (C-f), a function of time (C-t), or a function of the AC voltage. The Model 4210-CVU can also measure conductance and impedance.

To make capacitance measurements, a solar cell is connected to the Model 4210-CVU as shown in **Figure 11**. Like I-V measurements made with the SMU, the capacitance measurements also involve a four-wire connection to compensate for lead resistance. The HPOT/HCUR terminals are connected to the anode and the LPOT/LCUR terminals are connected to the

cathode. This connects the high DC voltage source terminal of the Model 4210-CVU to the anode.

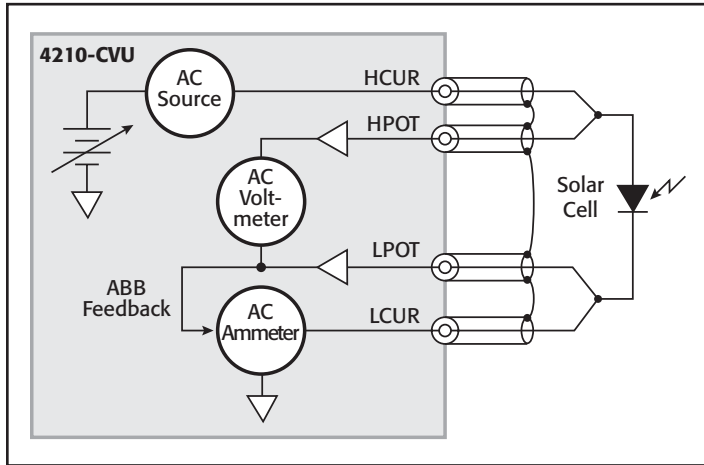


Figure 11. Connecting the solar cell to the Model 4210-CVU capacitance meter

Figure 11 shows the shields of the four coax cables coming from the four terminals of the capacitance meter. The shields from the coax cables must be connected together as close as possible to the solar cell to obtain the highest accuracy because this reduces the effects of the inductance in the measure circuit. This is especially important for capacitance measurements made at higher test frequencies.

Performing an Open and Short Connection Compensation will reduce the effects of cable capacitance on measurement accuracy. This simple procedure is described in Section 15 of the Model 4200-SCS Reference Manual.

Given that the capacitance of the cell is directly related to the area of the device, it may be necessary to reduce the area of the cell itself, if possible, to avoid capacitances that may be too high to measure. Also, setting the Model 4210-CVU to measure capacitance at a lower test frequency and/or lower AC drive voltage will allow measuring higher capacitances.

C-V Sweep

C-V measurements can be made either forward-biased or reverse-biased. However, when the cell is forward-biased, the applied DC voltage must be limited; otherwise, the conductance may get too high for the capacitance meter to measure. The maximum DC current cannot be greater than 10mA; otherwise, the instrument's DC voltage source will go into compliance and the DC voltage output will not be at the desired level.

Figure 12 illustrates a C-V curve of a silicon solar cell generated by the Model 4210-CVU using the "cvsweep" ITM. This test was performed in the dark while the cell was reversed-biased.

Rather than plotting dC/dV , it is sometimes desirable to view the data as $1/C^2$ vs. voltage because some parameters are related to the $1/C^2$ data. For example, the doping density (N) can be derived from the slope of this curve because N is related to the capacitance by:

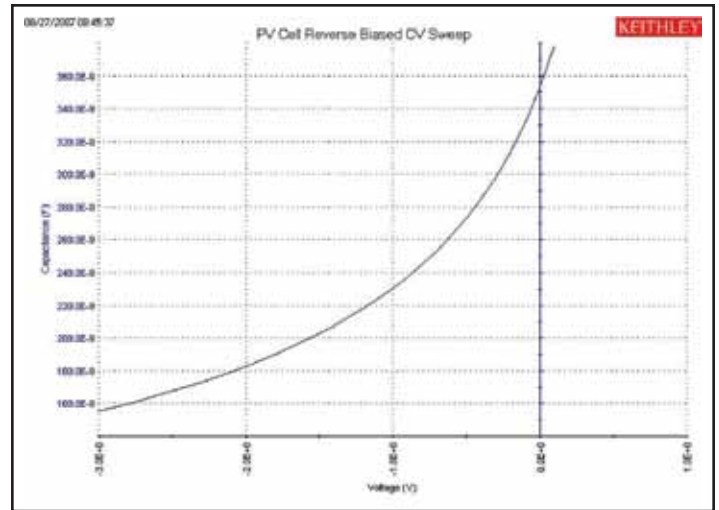


Figure 12. C-V sweep of a silicon solar cell

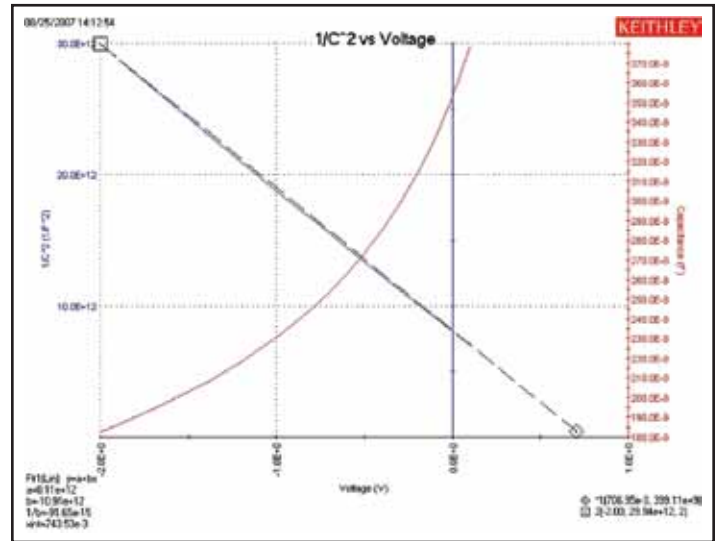


Figure 13. $1/C^2$ vs. voltage of a silicon solar cell

$$N(a) = \frac{2}{qE_s A^2 [d(1/C^2)/dV]}$$

where:

$N(a)$ = the doping density ($1/cm^3$)

q = the electron charge ($1.60219 \times 10^{-19}C$)

E_s = semiconductor permittivity ($1.034 \times 10^{-12}F/cm$ for silicon)

A = area (cm^2)

C = measured capacitance (F)

V = applied DC voltage (V)

The built-in voltage of the cell junction can be derived from the intersection of the $1/C^2$ curve and the horizontal axis. This plot should be a fairly straight line. An actual curve taken with the Model 4210-CVU, generated using the "C-2vsV" ITM, is shown in Figure 13. The Formulator function is used to derive both the doping density (N) and the built-in voltage on the x-axis (x-intercept). The doping density is calculated as a function of voltage in the Formulator and appears in the Sheet tab in the ITM. The user must input the area of the cell in the Constants area of the Formulator. The built-in voltage source value is

derived both in the Formulator and by using a Linear Line Fit option in the Graph settings. Notice the value of the x-intercept appears in the lower left corner of the graph.

C-f Sweep

The Model 4210-CVU option can also measure capacitance, conductance, or impedance as a function of the test frequency. The range of frequency is from 1kHz to 10MHz. The curve in **Figure 14** was generated by using the “*cfsweep*” ITM. Both the range of sweep frequency and the bias voltage can be adjusted. The desired parameters, such as the trap densities, can be extracted from the capacitance vs. frequency data. The measurements can be repeated at various temperatures.

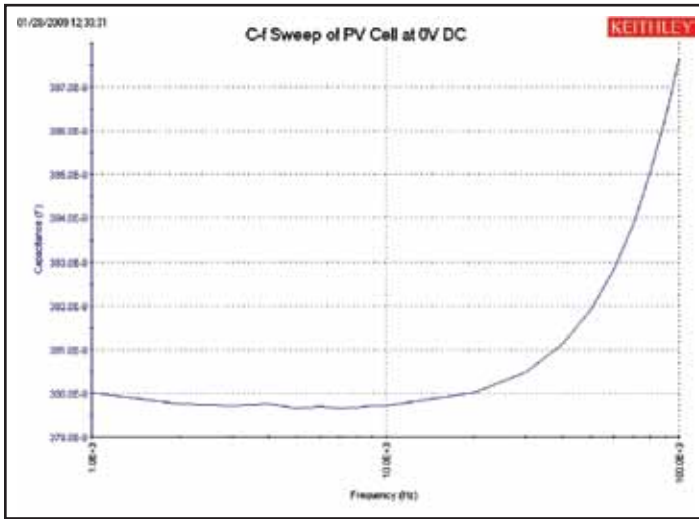


Figure 14. C-f Sweep of Solar Cell

Drive Level Capacitance Profiling (DLCP)

Drive Level Capacitance Profiling (DLCP) is a technique for determining the defect density (N_{DL}) as a function of depth of a photovoltaic cell¹. During the DLCP measurement, the applied AC voltage (peak-to-peak) is swept and the DC voltage is varied while the capacitance is measured. This is in contrast to the conventional C-V profiling technique, in which the AC rms voltage is fixed and the DC voltage is swept.

In DLCP, the DC voltage is automatically adjusted to keep the total applied voltage (AC + DC) constant while the AC voltage is swept. By maintaining a constant total bias, the exposed charge density (ρ_e) inside the material stays constant up to a fixed location (x_e), which is defined as the distance from the interface where $E_F - E_V = E_e$. This is also in contrast to conventional C-V profiling, the analysis of which assumes that the only charge density changes occur at the end of the depletion region.¹

Thus, in DLCP, the position (x_e) can be varied by adjusting the DC voltage bias to the sample. This also allows determining the defect density as a function of the distance, or special profiling.

The test frequency and temperature of the measurement can also be varied to show a profile that is energy dependent.

Once the measurements are taken, a quadratic fit of the C-V data is related to the impurity density at a given depletion depth as follows for a p-type semiconductor:

$$N_{DL} \equiv \frac{C_0^3}{2q\epsilon A^2 C_1} = \frac{|\rho_e|}{q} = p + \int_{E_f^0}^{E_v + E_e} g(E, x_e) dE$$

where:

N_{DL} = defect density (cm^{-3})

C_1, C_0 = coefficients of quadratic fit of C-V data

q = electron charge ($1.60 \times 10^{-19}\text{C}$)

ϵ = permittivity (F/cm)

A = area of solar cell (cm^2)

ρ_e = charge density (C/cm^3)

p = hole density (cm^{-3})

x_e = distance from interface where $E_F - E_V = E_e$

The coefficients C_0 and C_1 are determined via a full least-squares best fit of the data to a quadratic equation:

$$dQ/dV = C_2 (dV)^2 + C_1(dV) + C_0$$

However, only the C_0 and C_1 coefficients are used in the analysis.

The “DLCP” UTM allows making C-V measurements for drive level capacitance profiling. During these measurements, the total applied voltage remains constant as the DC voltage bias is automatically adjusted as the AC voltage drive level amplitude varies. The AC amplitude of the 4210-CVU can vary from 10mV_{rms} to $100\text{mV}_{\text{rms}}$ (14.14mV to $141.4\text{mV}_{\text{p-p}}$). The range of frequency can also be set from 1kHz to 10MHz. The capacitance is measured as the AC voltage is sweeping.

Table 2 lists the input parameters used in the UTM, the allowed range of input values, and descriptions. The user inputs the total applied voltage (V_{maxTotal}), the AC start, stop, and step voltages ($V_{\text{acppStart}}$, V_{acppStop} , and V_{acppStep}), the time between voltage steps (SweepDelay), the test frequency (Frequency), the measurement speed (Speed), the measurement range (CVRange), and offset compensation (OpenComp , ShortComp , LoadComp , and LoadVal).

Table 2. Adjustable parameters for the DLCP UTM

Parameter	Range	Description
V_{maxTotal}	-10 to 10 volts	Applied DC Volts and $\frac{1}{2}$ AC Volts p-p
$V_{\text{acppStart}}$.01414 to .1414	Start Vac p-p
V_{acppStop}	.02828 to .1414	Stop Vac p-p
V_{acppStep}	.0007070 to .1414	Step Vac p-p
SweepDelay	0 to 100	Sweep delay time in seconds
Frequency	1E+3 to 10E+6	Test Frequency in Hertz
Speed	0, 1, 2	0=Fast, 1=Normal, 2=Quiet
CVRange	0, 1E-6, 30E-6, 1E-3	0=autorange, 1 μA , 30 μA , 1mA
OpenComp	1, 0	Enables/disables open compensation for CVU
ShortComp	1, 0	Enables/disables short compensation for CVU
LoadComp	1, 0	Enables/disables load compensation for CVU
LoadVal	1 to 1E+9	Load value

¹ J. T. Heath, J. D. Cohen, W. N. Shafarman, “Bulk and metastable defects in $\text{CuIn}_{1-x}\text{Ga}_x\text{Se}_2$ thin films using drive-level capacitance profiling,” *Journal of Applied Physics*, vol. 95, no. 3, p. 1000, 2004

Once the test is executed, the capacitance, AC voltage, DC voltage, time stamp, frequency, and the defect density (N_{DL}) are determined and their values are listed in the Sheet tab. The defect density is calculated in the Formulator using a quadratic line fit of the C-V data. The coefficients (C_0 and C_1) of the quadratic equation are also listed in the Sheet tab. The user inputs the area and permittivity of the solar cell to be tested into the Constants/Values/Units area of the Formulator.

Figure 15 shows the measurement results in the graph of capacitance vs. AC voltage p-p. Notice the coefficients of the derived quadratic line fit and the defect density are displayed on the graph.

The capacitance measurements can be repeated at various applied total voltages in order to vary the position of x_c . The energy (E_c) can be varied by changing the test frequency (1kHz to 10MHz) or the temperature. To change the temperature of the measurement, the user can add a User Test Module (UTM) to control a temperature controller via the Model 4200-SCS's GPIB interface. The Model 4200-SCS is provided with user libraries for operating the Temptronics and Triotek temperature controllers.

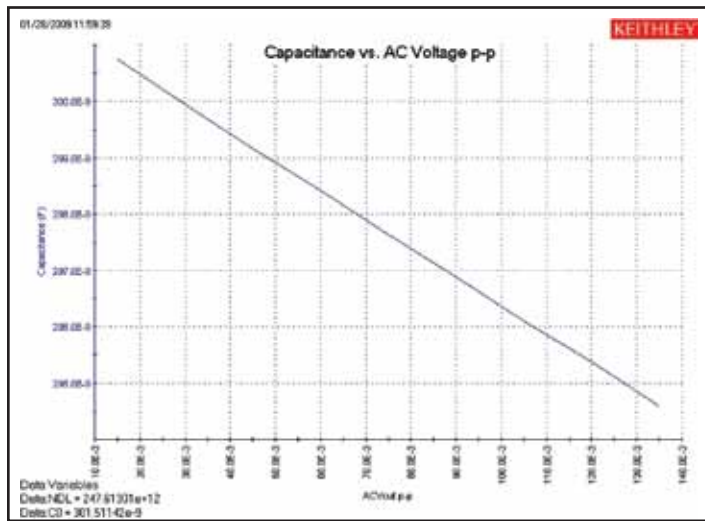


Figure 15. Capacitance vs. AC voltage p-p of a solar cell

Pulsed I-V Measurements

Pulsed I-V measurements can be useful for studying parameters of solar cells. In particular, pulsed I-V measurements have been used to determine the conversion efficiency, minimum carrier lifetime, and the effects of cell capacitance. The Model 4225-PMU, the Model 4200-SCS's optional Ultra-Fast I-V Module, can output pulsed voltage and measure current, and can capture ultra-high-speed current or voltage waveforms in the time domain. In addition to sourcing a pulsed voltage, the PMU can sink current so it can measure a solar cell's current output.

To make pulsed I-V measurements on a solar cell, the Model 4225-PMU is connected to the cell as shown in **Figure 16**. Each PMU has two channels so the solar cell can be connected using either one or two channels. In the one-channel case shown, one end of the cell is connected to the HI terminal of PMU CH1 and

the other side of the cell is connected to the shield of the coax cable, which is the LO terminal of the PMU.

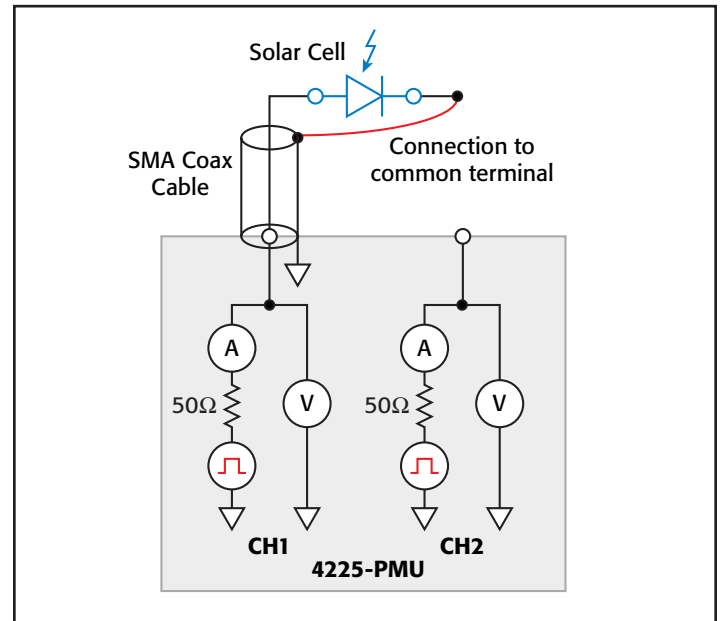


Figure 16. Connecting the solar cell to the Model 4225-PMU Ultra-Fast I-V Module

Unlike the DC I-V and C-V measurements, the 4225-PMU uses a two-wire technique. The Short Compensation feature can be used to “zero out” the voltage drops due to the cables so that a 4-wire measurement technique isn't necessary.

Because solar cells are fairly capacitive, it is important to ensure the pulse width is long enough for the pulsed I-V sweep. The waveform capture mode should be used to verify the pulse width prior to generating the pulsed I-V sweep. The waveform capture mode enables a time-based current and/or voltage measurement that is typically the capture of a pulsed waveform. This can be used to perform a dynamic test on the cell or used as a diagnostic tool for choosing the appropriate pulse settings

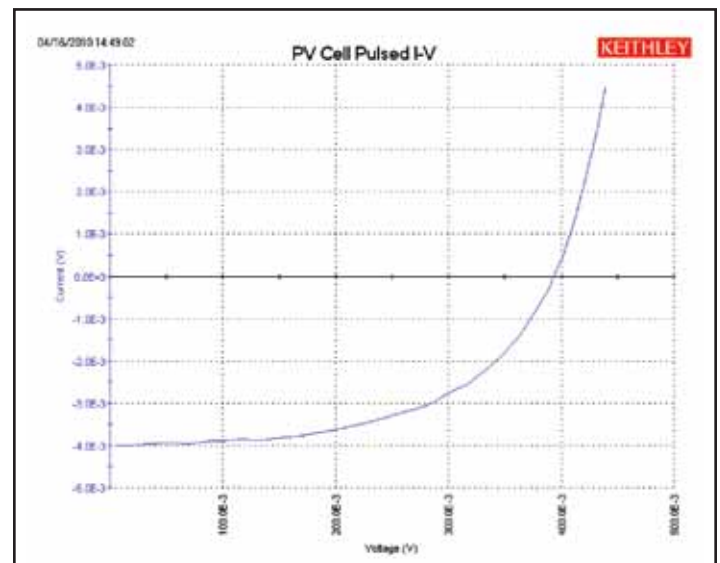


Figure 17. Pulsed I-V measurement on solar cell using Model 4225-PMU

in the pulsed I-V mode. Given that larger solar cells have larger capacitances, it may be necessary to reduce the area of the cell itself to avoid a long settling time in the measurement.

The results of generating a pulsed I-V measurement sweep on a silicon solar cell are shown in **Figure 17**. Note that the current is in the fourth quadrant of the curve. This indicates that the PMU is sinking current; in other words, the current is flowing out of the solar cell and into the PMU.

Resistivity and Hall Voltage Measurements

Determining the resistivity of a solar cell material is a common electrical measurement given that the magnitude of the resistivity directly affects the cell's performance. Resistivity measurements of semiconductor materials are usually performed using a four-terminal technique. Using four probes eliminates errors due to the probe resistance, spreading resistance under each probe, and the contact resistance between each metal contact and the semiconductor material. Two common techniques for determining the resistivity of a solar cell material are the four-point collinear probe method and the van der Pauw method. The *SolarCell* project contains several ITMs for making both types of measurements. More detailed information about making resistivity measurements on semiconductor materials using the Model 4200-SCS can be found in Keithley Application Note #2475, "Four-Probe Resistivity and Hall Voltage Measurements with the Model 4200-SCS."

Four-Point Collinear Probe Measurement Method

The four-point collinear probe technique involves bringing four equally spaced probes in contact with a material of unknown resistance. The probe array is placed in the center of the material as shown in **Figure 18**. The two outer probes are used to source current and the two inner probes are used to measure the resulting voltage difference across the surface of the material.

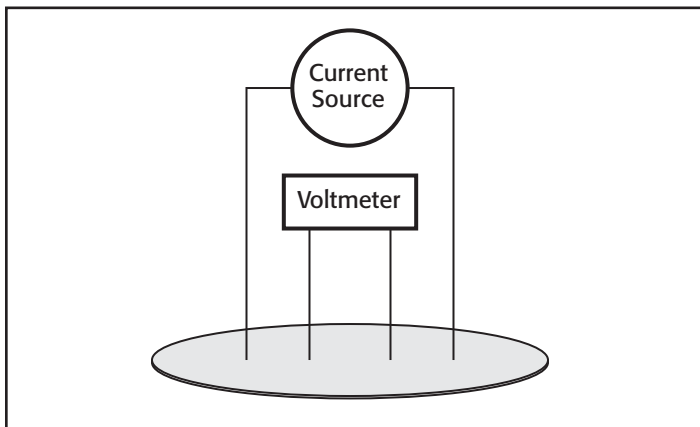


Figure 18. Four-point collinear probe resistivity configuration

From the sourced current and the measured voltage, the surface or sheet resistivity is calculated by:

$$\sigma = \frac{\pi}{\ln 2} \times \frac{V}{I}$$

where:

- σ = surface resistivity (Ω/\square)
- V = the measured voltage (V)
- I = the source current (A)

Note that the units for sheet resistivity are expressed as ohms per square (Ω/\square) in order to distinguish this number from the measured resistance (V/I), which is simply expressed in ohms. Correction factors to the resistivity calculation may be required for extremely thin or thick samples or if the diameter of the sample is small relative to the probe spacing.

If the thickness of the sample is known, the volume resistivity can be calculated as follows:

$$\rho = \frac{\pi}{\ln 2} \times \frac{V}{I} \times t \times k$$

where:

- ρ = volume resistivity ($\Omega\text{-cm}$)
- t = the sample thickness (cm)
- k = a correction factor* based on the ratio of the probe spacing to wafer diameter and on the ratio of wafer thickness to probe spacing

* The correction factors can be found in a standard four-point probe resistivity test procedure such as *Semi MF84: Standard Test Method for Measuring Resistivity of Silicon Wafers With an In-Line Four-Point Probe*. This standard was originally published by ASTM International as ASTM F 84.

Using the Four-Point Probe ITMs, *HiR* and *LoR*

The "*HiR*" and "*LoR*" ITMs are both used for making four-point collinear probe measurements. The "*HiR*" ITM can be used for materials over a wide resistance range, $\sim 1\text{m}\Omega$ to $1\text{T}\Omega$. The Model 4200-PA preamps are required for making high resistance measurements ($>1\text{M}\Omega$). The "*LoR*" ITM is intended for measurements of lower resistance materials ($\sim 1\text{m}\Omega$ – $1\text{k}\Omega$).

A screenshot of the "*HiR*" ITM for measuring four-probe resistivity is shown in **Figure 19**.

The "*HiR*" ITM uses either three or four SMUs to make the resistivity measurements. One SMU (SMU1) and the ground unit (GNDU) are used to source current between the outer two probes. Two other SMUs (SMU2 and SMU3) are used to measure the voltage drop between the two inner probes. The Force HI terminal of each SMU is connected to each of the four probes. The SMU designation for this configuration is shown in **Figure 20**.

In the Formulator, the voltage difference between SMU2 and SMU3 is calculated and the resistance and sheet resistivity are derived from the voltage difference. The results appear in the Sheet tab of the ITM.

When making high resistance measurements, potential sources of error need to be considered in order to make optimal measurements. Use a probe head that has a level of insulation resistance between the probes that is sufficiently higher than

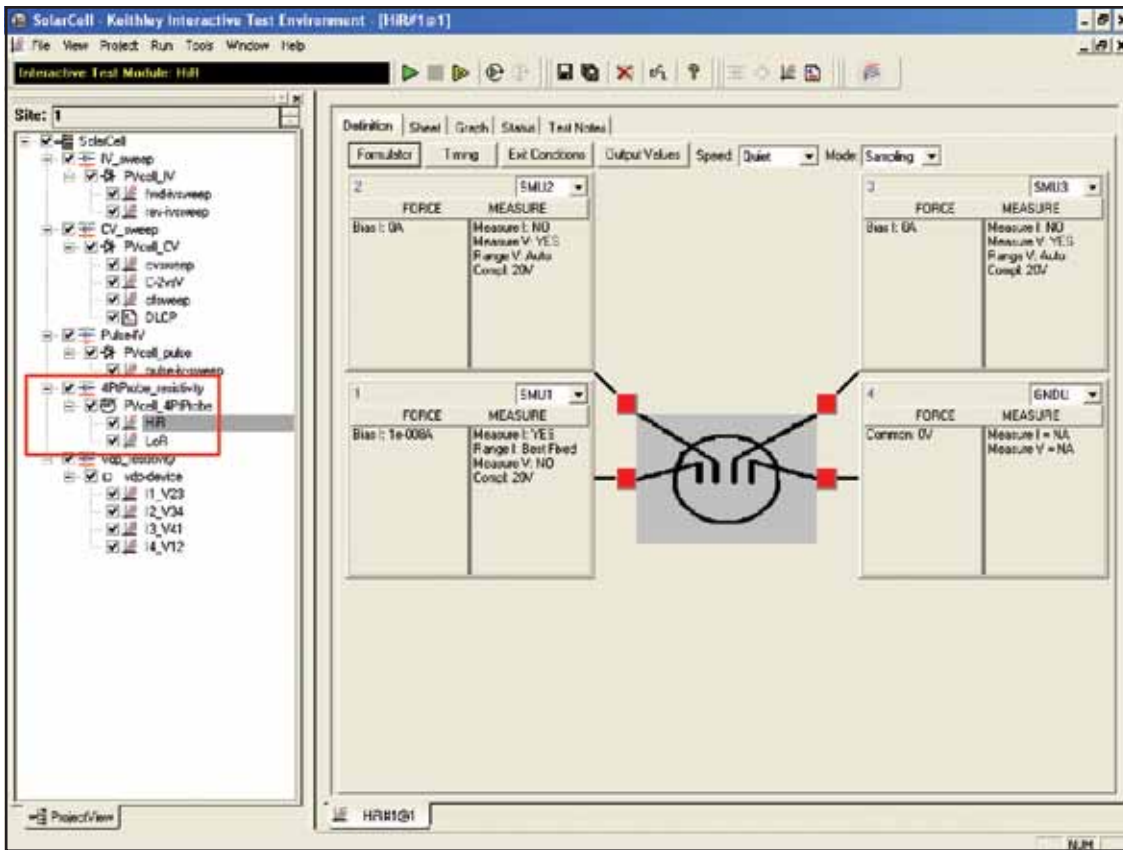


Figure 19. "HiR" test module for measuring resistivity

the resistance of the material to be measured. This will help prevent errors due to leakage current through the probe head. Ensure that the measurement circuit is electrostatically shielded by enclosing the circuit in a metal shield. The shield is connected to the LO terminal of the 4200. The LO terminal is located on the GNDU or on the outside shell of the triax connectors. Use triax cables to produce a guarded measurement circuit. This will prevent errors due to leakage current and significantly reduce the test time. Finally, the Model 4200-PA preamp option is required to source very small currents (nanoamp and picoamp range) and to provide high input impedance ($>1E16$ ohms) to avoid loading errors when measuring the voltage difference.

The "LoR" ITM is only used for lower resistance materials and requires only one or two SMUs. In this case, the Force and Sense terminals of the SMUs are connected to the four-point probe as shown in *Figure 20*.

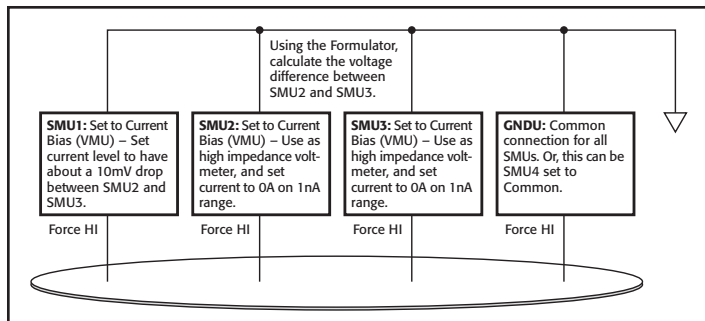


Figure 20. SMU designation for four-point collinear probe measurements

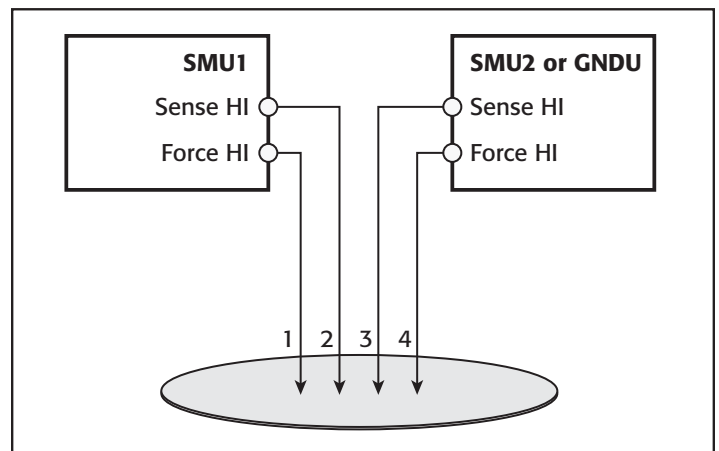


Figure 21. Connecting two SMUs for four-point probe measurements

In the configuration shown in *Figure 21*, the Force HI terminal SMU1 sources the current through Probe 1. The voltage difference between Probes 2 and 3 is measured through the Sense terminals of the two SMUs.

To compensate for thermoelectric offset voltages, two voltage measurements are made with currents of opposite polarity. The two measurements are combined and averaged to cancel the thermoelectric EMFs. The "LoR" ITM performs this offset correction automatically by sourcing the two current values in the List Sweep and then mathematically correcting for the offsets

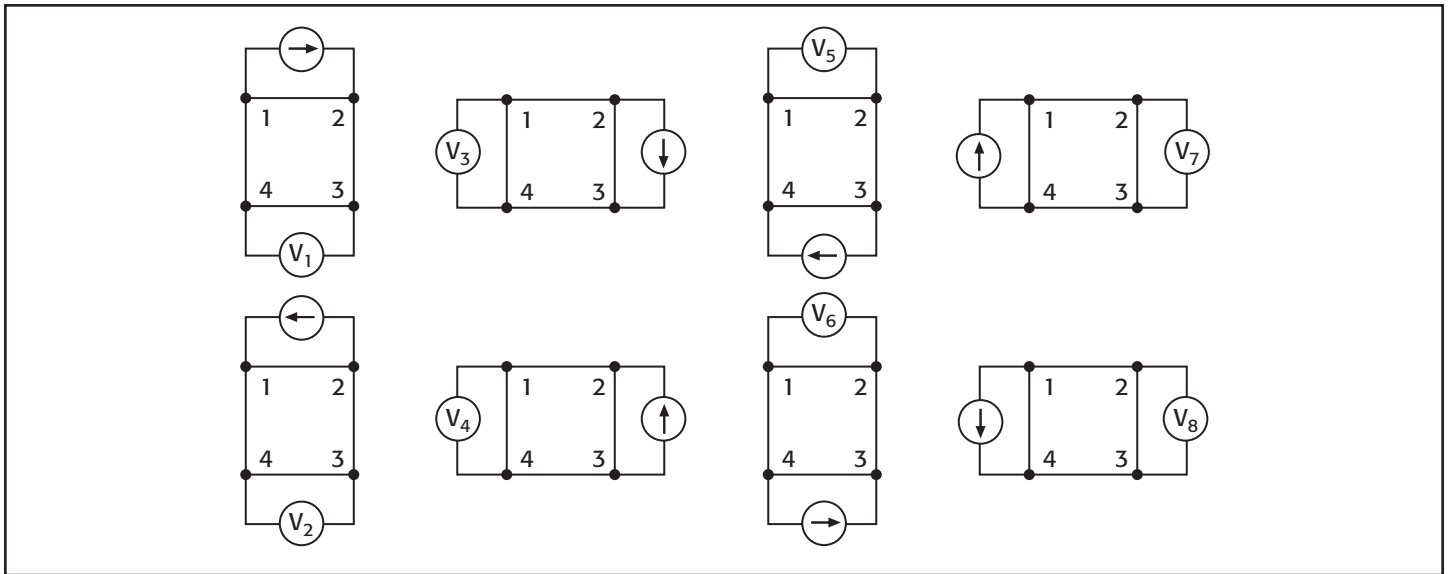


Figure 22. Van der Pauw resistivity measurement conventions

in the Formulator. The corrected resistance and sheet resistivity are displayed in the Sheet tab.

Measuring Resistivity with the van der Pauw Method

The van der Pauw (vdp) technique for measuring resistivity uses four isolated contacts on the boundary of a flat, arbitrarily shaped sample. The resistivity is derived from eight measurements made around the sample as shown in **Figure 22**.

Once all the voltage measurements have been taken, two values of resistivity, ρ_A and ρ_B , are derived as follows:

$$\rho_A = \frac{\pi}{\ln 2} f_A t_s \frac{(V_2 + V_4 - V_1 - V_3)}{4I}$$

$$\rho_B = \frac{\pi}{\ln 2} f_B t_s \frac{(V_6 + V_8 - V_5 - V_7)}{4I}$$

where:

ρ_A and ρ_B are volume resistivities in ohm-cm;

t_s is the sample thickness in cm;

V_1 - V_8 represent the voltages measured by the voltmeter;

I is the current through the sample in amperes;

f_A and f_B are geometrical factors based on sample symmetry, and are related to the two resistance ratios Q_A and Q_B as shown in the following equations ($f_A = f_B = 1$ for perfect symmetry).

Q_A and Q_B are calculated using the measured voltages as follows:

$$Q_A = \frac{V_2 - V_1}{V_4 - V_3}$$

$$Q_B = \frac{V_6 - V_5}{V_8 - V_7}$$

Also, Q and f are related as follows:

$$\frac{Q - 1}{Q + 1} = \frac{f}{0.693} \operatorname{arc} \cosh \left(\frac{e^{0.693f}}{2} \right)$$

A plot of this function is shown in **Figure 23**. The value of “ f ” can be found from this plot once Q has been calculated.

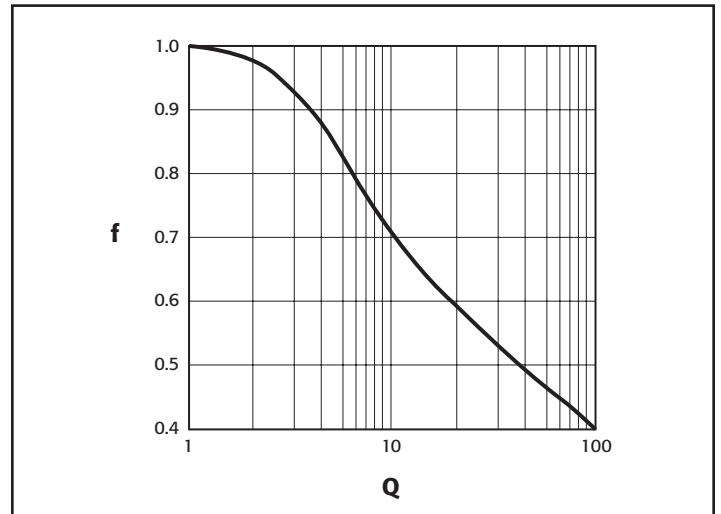


Figure 23. Plot of f vs. Q

Once ρ_A and ρ_B are known, the average resistivity (ρ_{AVG}) can be determined as follows:

$$\rho_{AVG} = \frac{\rho_A + \rho_B}{2}$$

Using the *vdp_resistivity* subsite and vdp method ITMs

To automate the vdp resistivity measurements, the *SolarCell* project has a *vdp-resistivity* subsite with four ITMs: “*I1_V23*”, “*I2_V34*”, “*I3_V41*”, and “*I4_V12*.” A screenshot of the test is shown in **Figure 24**.

Each terminal of the sample is connected to the Force HI terminal of an SMU, so a Model 4200-SCS with four SMUs is required. The four SMUs are configured differently in each of the four ITMs – one SMU supplies the test current, two

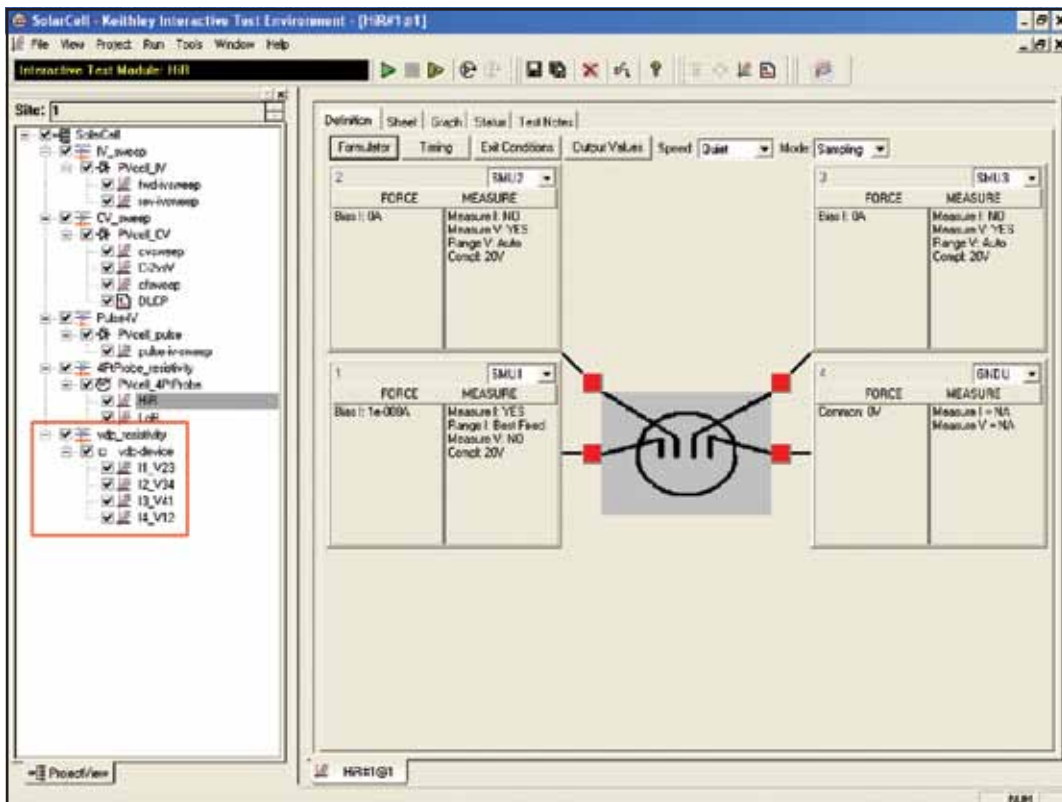


Figure 24. Screenshot of van der Pauw test

are configured as voltmeters, and one is set to common. This measurement setup is repeated around the sample, with each of the four SMUs serving a different function in each of the four ITMs. A diagram of the function of each SMU in each ITM is shown in *Figure 25*.

Adjusting the Test Parameters

Before executing the test, some of the test parameters must be adjusted based on the sample to be tested. In particular, it's necessary to specify the source current, the settling time, and the thickness of the material.

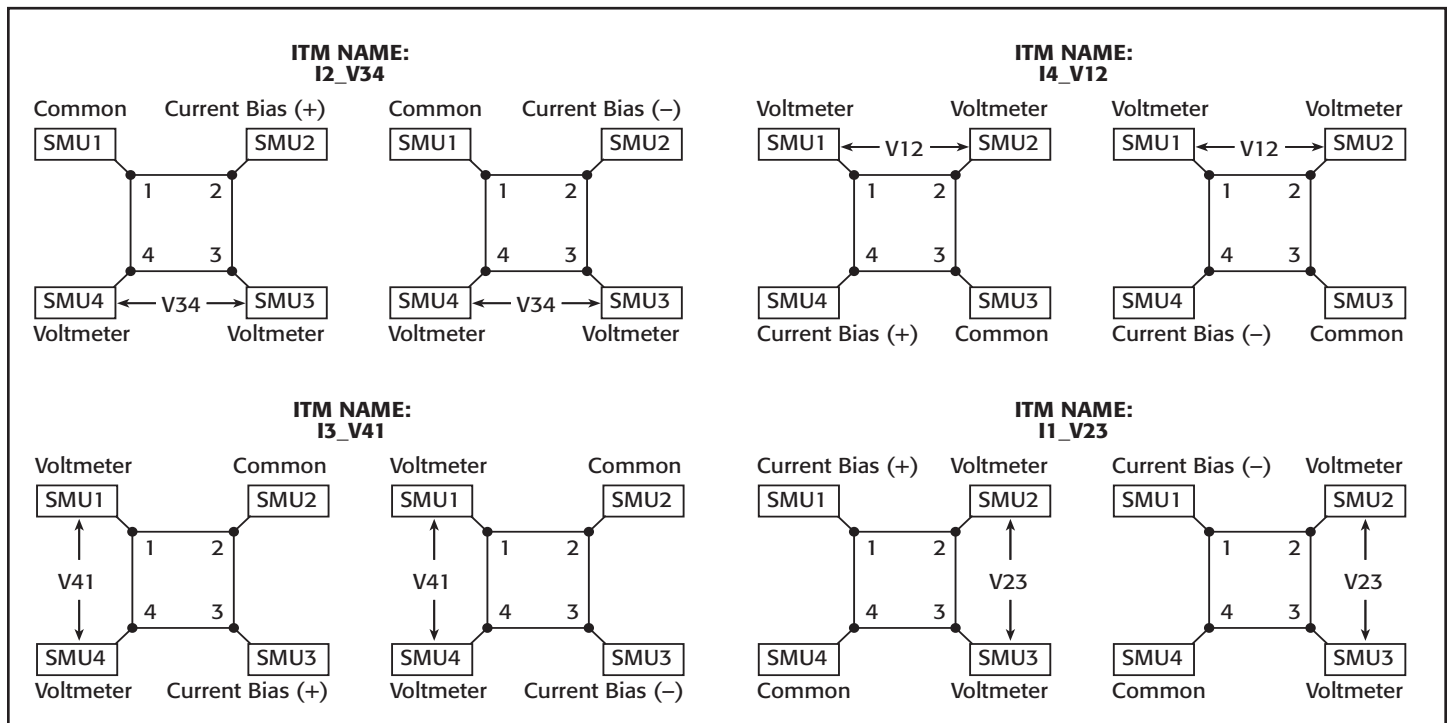


Figure 25. SMU configurations for van der Pauw measurements

Input Source Current: Before running the project, input the current source values based on the expected sample resistance. Adjust the current so that the voltage difference will not exceed approximately 25mV to keep the sample in thermal equilibrium. In each of the four ITMs, enter both polarities of the test current. The same magnitude must be used for each ITM.

Input the Settling Time: For high resistance samples, it will be necessary to determine the settling time of the measurements. This can be accomplished by creating an ITM that sources current into two terminals of the samples and measures the voltage drop on the adjacent two terminals. The settling time can be determined by taking multiple voltage readings and then graphing the voltage difference as a function of time.

This settling time test can be generated by copying and then modifying one of the existing vdp ITMs. Switch the source function from the sweep mode to the sampling mode. Then, in the Timing menu, take a few hundred or so readings with a delay time of one second. Make sure that the "Timestamp Enabled" box is checked. After the readings are done, plot the voltage difference vs. time on the graph. The settling time is determined by observing the graph and finding the time when the reading is within the desired percentage of the final value.

Input the Thickness of the Sample: Enter the thickness of the sample into the Calc sheet at the subsite level. Select the subsite *vdp_resistivity*. Go to the Subsite Data *vdp-device* tab. It contains

the output values of the voltage differences and test current. From the Calc tab, the thickness can be adjusted. The default thickness is 1cm.

Input Correction Factor: The resistivity formula found in the Calc sheet at the subsite level also allows inputting a correction factor, if necessary. The resistivity is multiplied by this number, which may be based on the geometry or uniformity of the sample. By default, the correction factor is 1.

Running the Project

The van der Pauw resistivity measurements must be run at the subsite level. Make sure that all four checkboxes in front of the vdp ITMs ("*I1_V23*," "*I2_V34*," "*I3_V41*," and "*I4_V12*") are checked and then click on the subsite *vdp_resistivity*. Execute the project by using the subsite Run button (circular arrow). Each time the test is run, the subsite data is updated. The voltage differences from each of the four ITMS will appear in the Subsite Data *vdp-device* Sheet tab. The resistivity will appear in the Subsite Data Calc sheet as shown in *Figure 26*.

Hall Voltage Measurements

Hall effect measurements are important to semiconductor material characterization because the conductivity type, carrier density, and Hall mobility can be derived from the Hall voltage. With an applied magnetic field, the Hall voltage can be measured using the configuration shown in *Figure 27*.

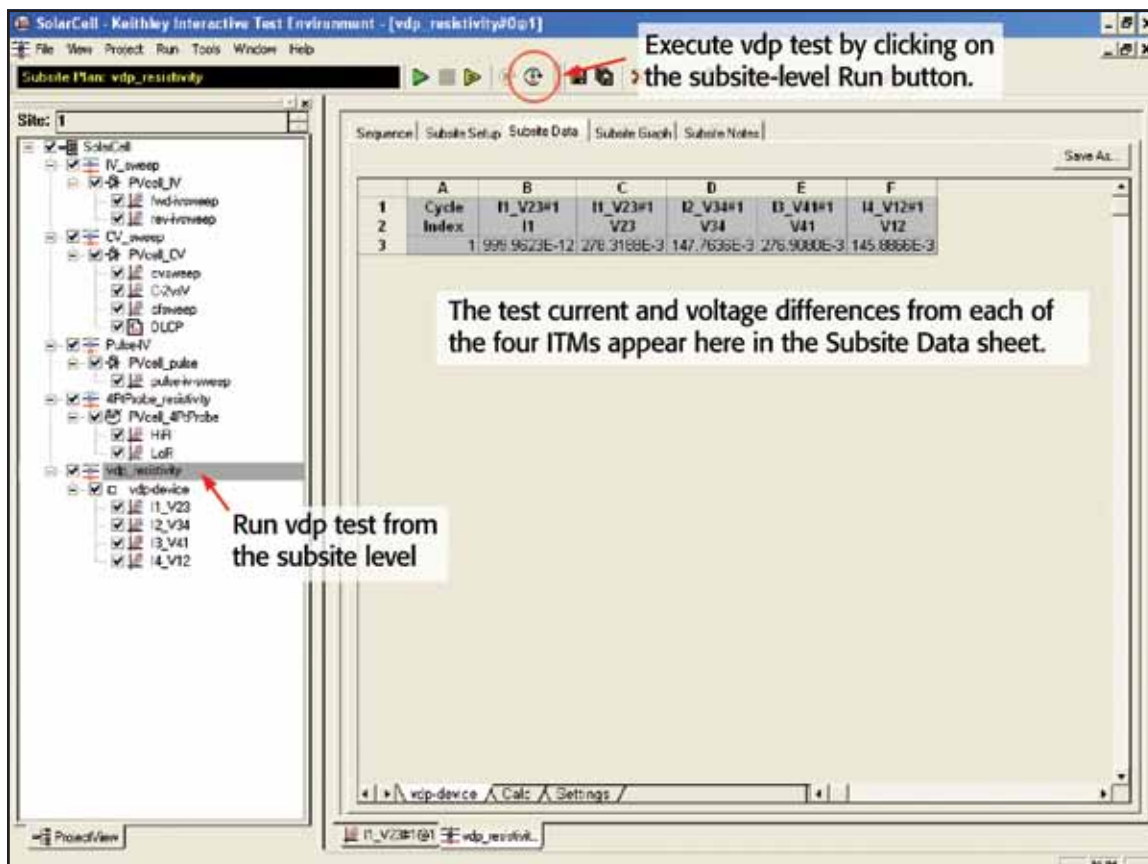


Figure 26. Executing the vdp_resistivity test

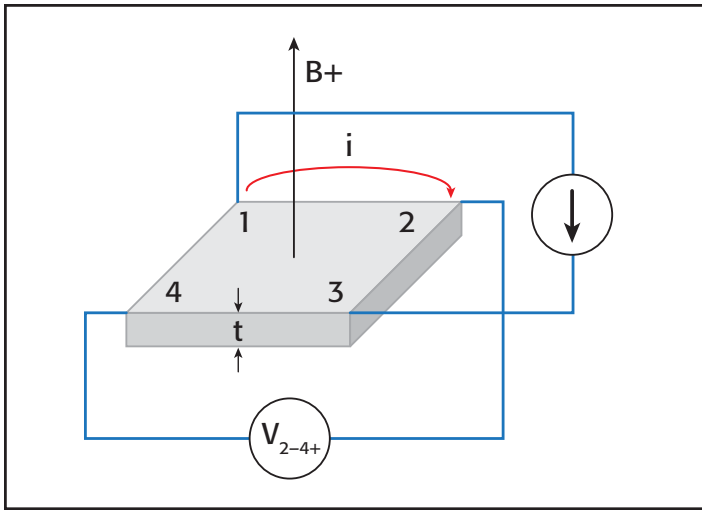


Figure 27. Hall voltage measurement

With a positive magnetic field (B+), apply a current between Terminals 1 and 3 of the sample, and measure the voltage drop (V_{2-4+}) between Terminals 2 and 4. Reverse the current and measure the voltage drop (V_{4-2+}). Next, apply current between Terminals 2 and 4, and measure the voltage drop (V_{1-3+}) between Terminals 1 and 3. Reverse the current and measure the voltage drop (V_{3-1+}) again.

Reverse the magnetic field (B-) and repeat the procedure, measuring the four voltages: (V_{2-4-}), (V_{4-2-}), (V_{1-3-}), and (V_{3-1-}). **Table 3** summarizes the Hall voltage measurements.

Table 3. Summary of Hall Voltage Measurements

Voltage Designation	Magnetic Flux	Current Forced Between Terminals	Voltage Measured Between Terminals
V2-4+	B+	1-3	2-4
V4-2+	B+	3-1	4-2
V1-3+	B+	2-4	1-3
V3-1+	B+	4-2	3-1
V2-4-	B-	1-3	2-4
V4-2-	B-	3-1	4-2
V1-3-	B-	2-4	1-3
V3-1-	B-	4-2	3-1

From the eight Hall voltage measurements, the average Hall coefficient can be calculated as follows:

$$R_{HC} = \frac{t(V_{4-2+} - V_{2-4+} + V_{2-4-} - V_{4-2-})}{4BI}$$

$$R_{HD} = \frac{t(V_{3-1+} - V_{1-3+} + V_{1-3-} - V_{3-1-})}{4BI}$$

where:

R_{HC} and R_{HD} are Hall coefficients in cm^3/C ;

t is the sample thickness in cm;

V represents the voltages measured in V;

I is the current through the sample in A;

B is the magnetic flux in Vs/cm^2

Once R_{HC} and R_{HD} have been calculated, the average Hall coefficient ($R_{H_{AVG}}$) can be determined as follows:

$$R_{H_{AVG}} = \frac{R_{HC} + R_{HD}}{2}$$

From the resistivity (ρ_{AVG}) and the Hall coefficient (R_H), the Hall mobility (μ_H) can be calculated:

$$\mu_H = \frac{|R_H|}{\rho_{AVG}}$$

Using the Model 4200-SCS to Measure the Hall Voltage

The *SolarCell* project does not include a specific test to measure the Hall voltage; however, four ITMs can be added to the subsite for determining the Hall coefficient and mobility. Given that the configuration for the Hall measurements is very similar to the van der Pauw resistivity measurements, the vdp ITMs can be copied and modified for making the Hall voltage measurements. The modifications involve changing the functions of the SMUs. **Figure 28** illustrates how to configure the four SMUs in the ITMs to measure the Hall voltage. Use the Output Value checkboxes on the Definition tab to return the Hall voltages to the subsite-level Calc sheet.

User Test Modules (UTMs) must be added to control the magnet. For a GPIB-controlled electromagnet, users can write a program using KULT (the Keithley User Library Tool) to control the magnitude and polarity of the electromagnet. The code can be opened up in a UTM within the project. Information on writing code using KULT is provided in Section 8 of the Model 4200-SCS Reference Manual.

If a permanent magnet is used, UTMs can be employed to create a Project Prompt that will stop the test sequence in the project tree and instruct the user to change the polarity of the magnetic field applied to the sample. A Project Prompt is a dialog window that pauses the project test sequence and prompts the user to perform some action. See Section A of the Model 4200-SCS Reference Manual for a description of how to use Project Prompts.

Finally, the Hall coefficient and mobility can be derived in the subsite-level Calc sheet. These math functions can be added to the other equations for determining resistivity.

Conclusion

Measuring the electrical characteristics of a solar cell is critical for determining the device's output performance and efficiency. The Model 4200-SCS simplifies cell testing by automating the I-V, C-V, pulsed I-V, and resistivity measurements and provides graphics and analysis capability. For measurements of currents greater than 1A, Keithley offers Series 2400 and Series 2600 SourceMeter instruments that can be used for solar cell testing. Information on these models and further information on making solar cell measurements can be found on Keithley's website: www.keithley.com.

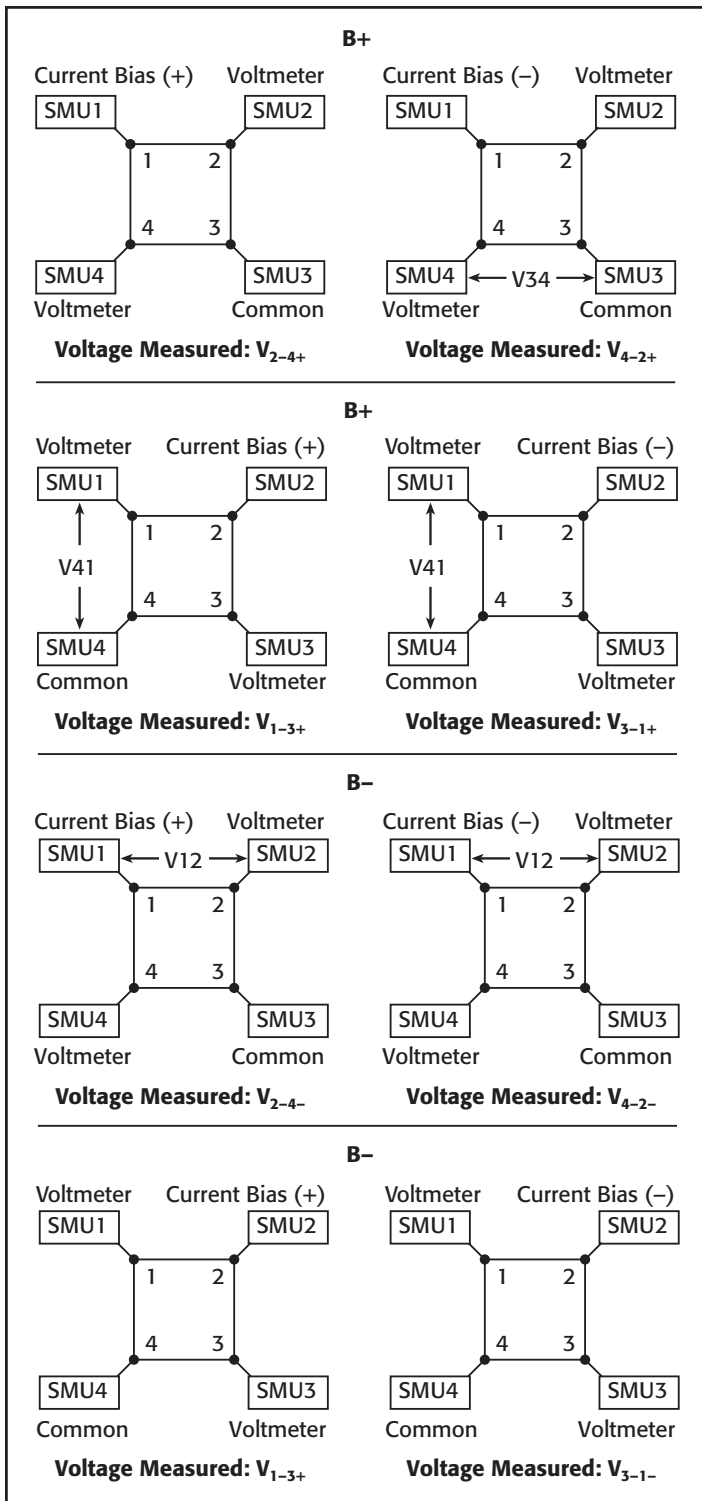


Figure 28. SMU configurations for Hall voltage measurements

Specifications are subject to change without notice.
All Keithley trademarks and trade names are the property of Keithley Instruments, Inc.
All other trademarks and trade names are the property of their respective companies.

KEITHLEY

A G R E A T E R M E A S U R E O F C O N F I D E N C E

KEITHLEY INSTRUMENTS, INC. ■ 28775 AURORA RD. ■ CLEVELAND, OH 44139-1891 ■ 440-248-0400 ■ Fax: 440-248-6168 ■ 1-888-KEITHLEY ■ www.keithley.com

BELGIUM

Sint-Pieters-Leeuw
Ph: 02-3630040
Fax: 02-3630064
info@keithley.nl
www.keithley.nl

CHINA

Beijing
Ph: 86-10-8447-5556
Fax: 86-10-8225-5018
china@keithley.com
www.keithley.com.cn

FRANCE

Saint-Aubin
Ph: 01-64532020
Fax: 01-60117726
info@keithley.fr
www.keithley.fr

GERMANY

Germering
Ph: 089-84930740
Fax: 089-84930734
info@keithley.de
www.keithley.de

INDIA

Bangalore
Ph: 080-26771071, -72, -73
Fax: 080-26771076
support_india@keithley.com
www.keithley.com

ITALY

Peschiera Borromeo (Mi)
Ph: 02-5538421
Fax: 02-55384228
info@keithley.it
www.keithley.it

JAPAN

Tokyo
Ph: 81-3-5733-7555
Fax: 81-3-5733-7556
info.jp@keithley.com
www.keithley.jp

KOREA

Seoul
Ph: 82-2-574-7778
Fax: 82-2-574-7838
keithley@keithley.co.kr
www.keithley.co.kr

MALAYSIA

Penang
Ph: 60-4-643-9679
Fax: 60-4-643-3794
sea@keithley.com
www.keithley.com

NETHERLANDS

Son
Ph: 0183-635333
Fax: 0183-630821
info@keithley.nl
www.keithley.nl

SINGAPORE

Singapore
Ph: 65-6747-9077
Fax: 65-6747-2991
sea@keithley.com
www.keithley.com

SWITZERLAND

Zürich
Ph: 044-8219444
Fax: 044-8203081
info@keithley.ch
www.keithley.ch

TAIWAN

Hsinchu
Ph: 886-3-572-9077
Fax: 886-3-572-9031
info_tw@keithley.com
www.keithley.com.tw

UNITED KINGDOM

Theale
Ph: 0118-9297500
Fax: 0118-9297519
info@keithley.co.uk
www.keithley.co.uk